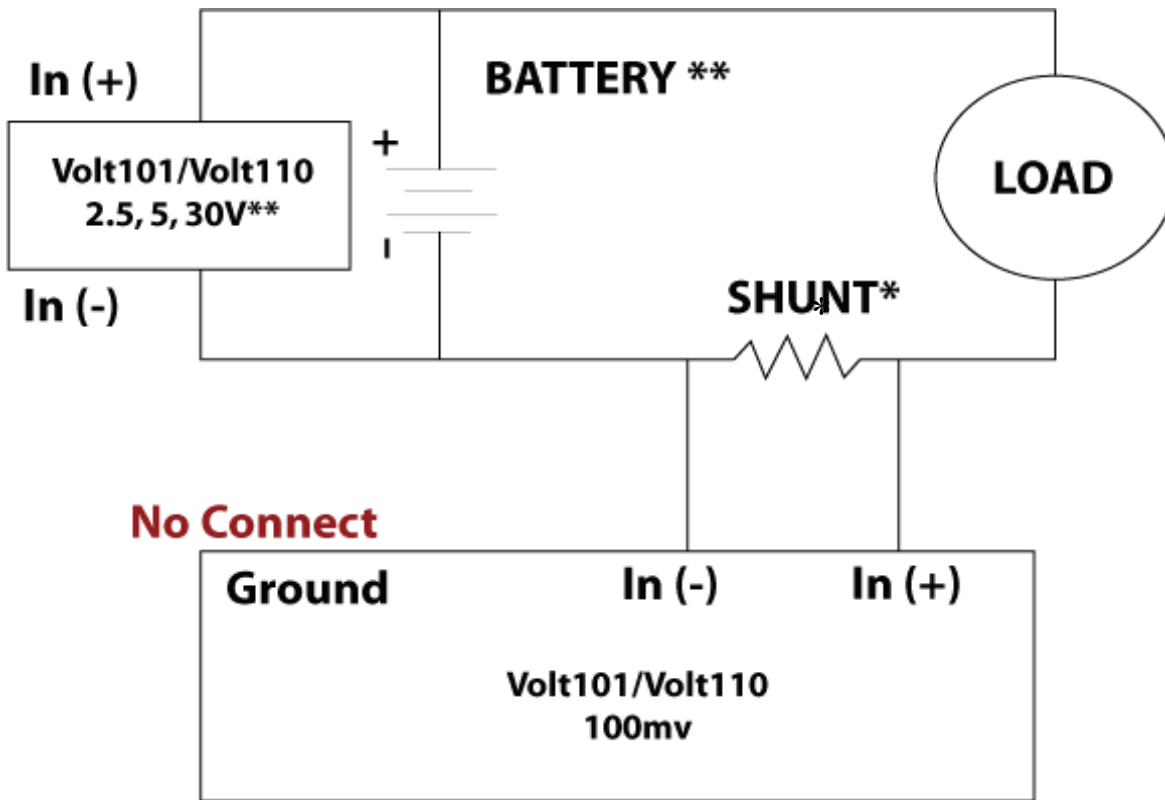


Example Circuit Diagram for  
Measuring Voltage and Current

Volt101 100mv Series



**No Connect**

\*Shunt value depends on the maximum expected load current. For example for a 10A max use a 0.01Ω shunt.

\*\* Select Voltage range to match maximum battery voltage.

**Warnings!**

- Do not connect ground terminal of Volt101 ±100mv data logger to ANYTHING. Doing so will damage the logger.
- Disconnect data logger from the circuit BEFORE connecting data loggers to PC Interface cable.

Madgetech Inc.  
(603) 456-2011 Phone  
(603) 456-2012 Fax  
www.madgetech.com  
support@madgetech.com

201 Route 103 West  
Po Box 50  
Warner NH 03278